

Overview

As professional battery manufacturer, Shenzhen Center Power Tech CO.,Ltd successfully developed new HTB series after years of continued research and development. The new HTB series can work at 35°C for long time, with couple lifetime comparing with traditional SLA batteries.

Battery Construction

Component	Positive plate	Negative plate	Container	Cover	Safety valve	Terminal	Separator	Electrolyte
Raw material	Lead dioxide	Lead	Heat-resisting materials	Rubber	Copper	Fiberglass	Sulfuric acid	

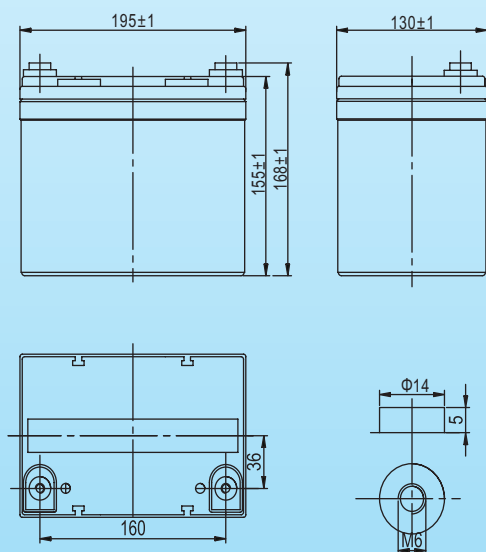
General Features

- Wide operating temperature range: -30°C to +80°C;
- Patented anti-corrosion grid technology;
- Special Battery separator technology;
- Special Containers & lids with thermostability;
- Special structure design with compression resistance and impact resistance;
- Save 50% cost of air conditioners' power consumption;
- 100% air conditioner maintenance saving;
- 30% CO2 gas emission reduce;
- 100% condensing agent saving, no condensing agent pollution.

Dimensions and Weight

Length(mm / inch)	195 / 7.68
Width(mm / inch)	130 / 5.12
Height(mm / inch)	155 / 6.10
Total Height(mm / inch)	168 / 6.61
Approx. Weight(Kg / lbs)	11.0 / 24.3

* Weight deviation: ± 3%



Battery Specification

Performance Characteristics	
Nominal Voltage	12V
Number of cell	6
Design Life (35°C)	10years
Nominal Capacity 77°F(25°C)	
10 hour rate (3.30A, 10.8V)	33.0Ah
5 hour rate (5.58A, 10.5V)	27.9Ah
1 hour rate (22.3A, 9.6V)	22.3Ah
Internal Resistance	
Fully Charged battery 77°F(25°C)	≤9.2mOhms
Self-Discharge	
3% of capacity declined per month at 20°C (average)	
Operating Temperature Range	
Discharge	-30~80°C
Charge	-10~70°C
Storage	-30~80°C
Max. Discharge Current 77°F(25°C)	330A(5s)
Short Circuit Current	850A
Charge Methods: Constant Voltage Charge 77°F(25°C)	
Cycle use	2.4-2.45VPC
Maximum charging current	9.9A
Temperature compensation	-30mV/°C
Standby use	2.27-2.30VPC
Temperature compensation	-20mV/°C

Discharge Constant Current (Amperes at 77°F25°C)

End Point Volts/Cell	Time							
	10min	15min	30min	45min	1h	3h	5h	10h
1.60V	80.2	61.5	37.0	26.9	22.3	9.08	6.30	3.36
1.65V	77.3	59.4	36.3	26.9	21.9	8.97	6.25	3.35
1.70V	73.0	54.5	33.2	25.2	21.2	8.45	6.15	3.32
1.75V	69.0	52.0	32.8	24.5	20.3	8.25	5.58	3.31
1.80V	60.0	49.5	31.9	23.5	19.8	8.18	5.50	3.30

Discharge Constant Power (Watts at 77°F25°C)

End Point Volts/Cell	Time							
	10min	15min	30min	45min	1h	2h	3h	5h
1.60V	150	117	72.4	53.8	40.9	23.3	17.4	12.2
1.65V	145	110	69.3	53.2	40.5	23.1	17.3	11.9
1.70V	136	107	64.5	51.2	39.9	22.6	16.8	11.5
1.75V	132	103	62.7	49.1	39.1	21.8	16.0	11.3
1.80V	116	97.9	61.0	48.8	38.3	21.0	15.2	11.0

(Note) The above characteristics data are average values obtained within three charge/discharge cycles not the minimum values. All data shall be changed without notice, Vision reserves the right to explain and update the information contained hereinto.



VISION GROUP
Shenzhen Center Power
Tech.Co.Ltd.,

6FM33X-HTB

12V 33Ah(10hr)

